

**LAUNCH**  
**TECH USA**  
CREATE • CHANGE

# PRECISE & SIMPLE

## ADAS SOLUTION

**2024**

**X-431**  
ADAS MOBILE PLUS




**NEW!**  
RADAR 3 IN 1



**X-431**  
ADAS PRO PLUS



Follow Us     

 1-877-528-6249

 [www.launchtechusa.com](http://www.launchtechusa.com)

 [sales@launchtechusa.com](mailto:sales@launchtechusa.com)



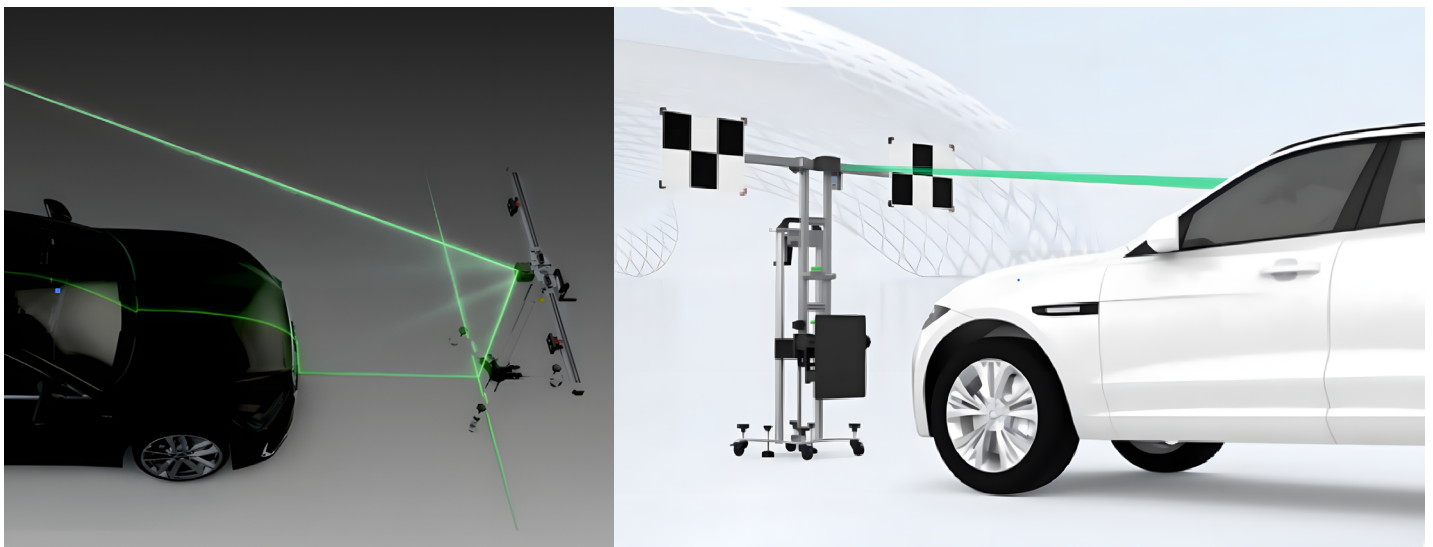
## APPLICATION SCENARIO

### Calibration required while ADAS sensors are disturbed.

Most ADAS sensors including; cameras, radars, LiDar modules, or ultrasonics. Have been quickly become standard equipment in today's vehicles. With added technology, comes additional requirements to standard repairs. An ADAS Re-calibration, is a precise aiming procedure to ensure these sensors are functioning to the best of their abilities after repairs are completed. Launch Tech USA is striving to accommodate these required procedures, with the leading edge equipment with the Technician in mind

### Some repairs that will require ADAS Recalibrations:

1. Windshield Replacement
2. Collision damage requiring panel replacement.
3. Module Replacement
4. Chassis Alignment.
5. Structural repairs to the vehicle.



## ABOUT ADAS CALIBRATIONS

### STATIC CALIBRATIONS

It is performed by an ADAS calibration tool frame and targets. A static calibration requires professional diagnostic software with a scan tool to fulfill the calibration procedures. Before a static calibration, the work station should prepare a standardized area to get started. If not a qualified work area in normal conditions, it will affect the accuracy of the calibration.

### DYNAMIC CALIBRATIONS

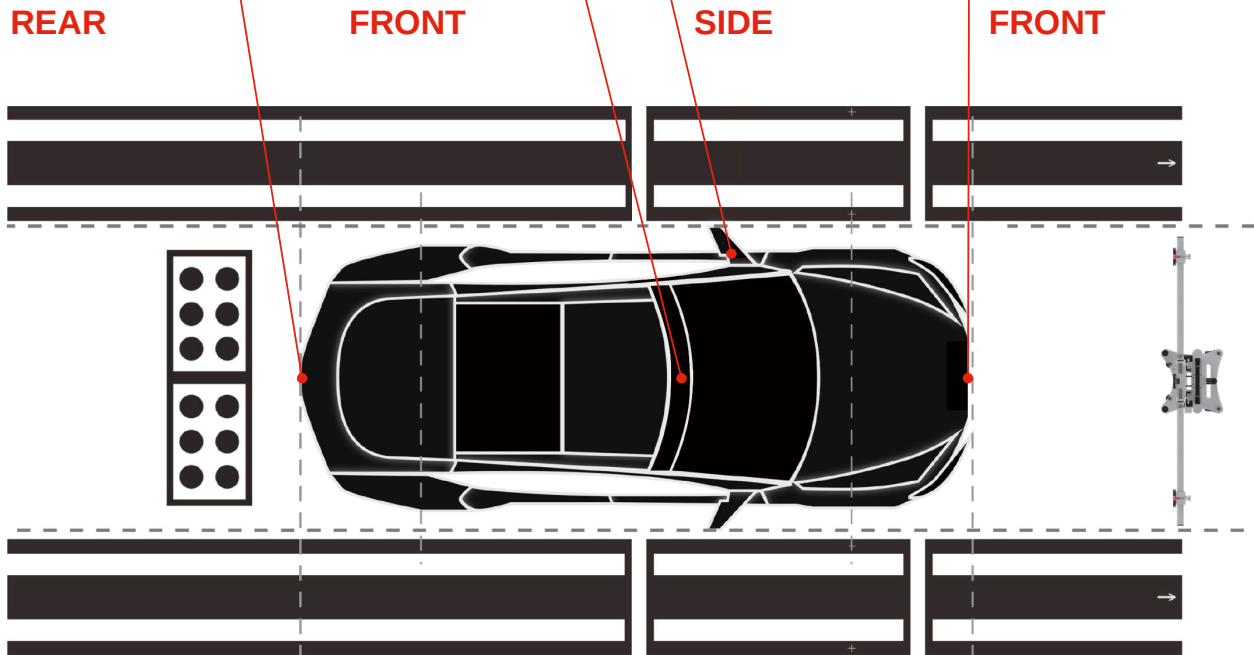
Doesn't require targets or controlled shop space, but rather learns as the vehicle is driven. To complete this procedure, a professional level diagnostic scan tool is required to start the test, and monitor the completion status. Primarily associated with Domestic vehicles, but is also seen with select imports. Most notably BMW, Land Rover, Range Rover, Jaguar, Mazda, and Hyundai/Kia.

# WORKSPACE REQUIREMENTS



## RECOMMENDATION SIZE: 5M X 9M

- Blind Spot Detection
- Reverse Image
- Parking Assistant
- Rear Collision Warning
- Head-up Display
- Lane Keeping Assist
- Drive State Monitoring
- Lane Departure Warning
- Adaptive Front-lighting System
- Night Vision System
- Around View Monitoring
- Adaptive Cruise Control
- Forward Collision Warning
- Emergency Brake



MAKE SURE THE VEHICLE IS PARKED WITH ALL WHEELS **ON AN EVEN FLOOR SURFACE.**

✓	
✗	
✗	
✗	



ADAS CALIBRATION TOOLS

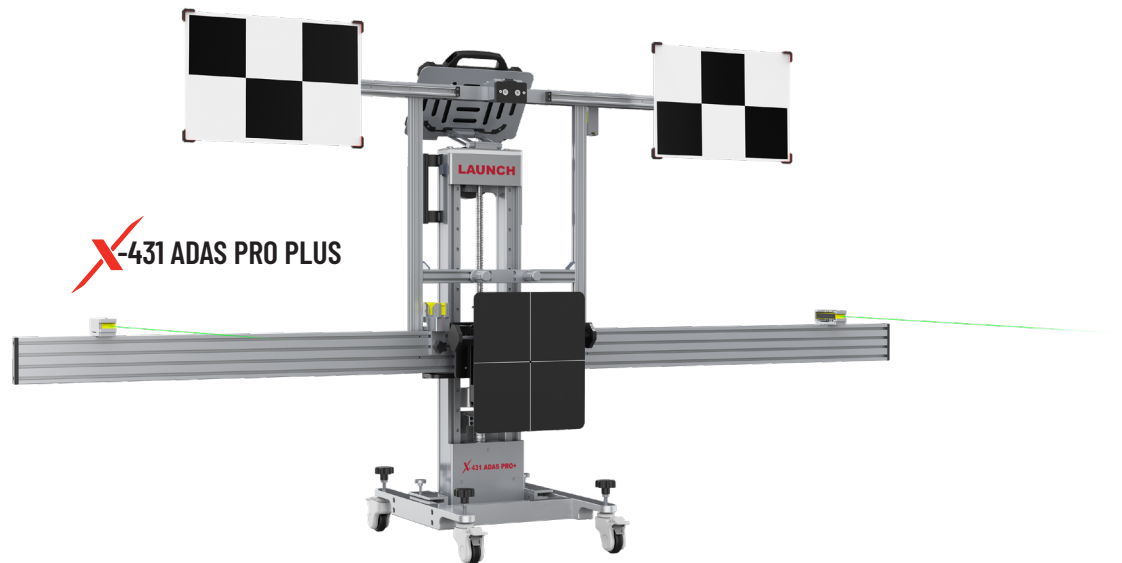
X-431 ADAS MOBILE PLUS



NEW  
RADAR 3 IN 1



X-431 ADAS PRO PLUS





## TARGETS



**LAC05-04**  
Doppler Simulator



**LAM05-02**  
ACC Radar Target

**LAC05-03**  
Corner Reflector



**COMING WITH A  
PROTECTIVE BAG**

**Three-in-one package** for calibrating radar systems in Euro, Asian, and U.S. vehicles: compact, lightweight, and user-friendly.



## LAC05-04

Doppler Simulator

### CALIBRATION SYSTEMS:

LCA (Lane Change Assist)

FCR (Front Corner Radar)

### VEHICLE COVERAGE:

Volkswagen, Audi, Škoda, Seat, Mazda, etc.



## LAM05-02

ACC Radar Target

### CALIBRATION SYSTEMS:

ACC (Adaptive Cruise Control)

### VEHICLE COVERAGE:

Mercedes-Benz, BMW, Audi, Volkswagen, Porsche, SKODA, Seat, Romeo, MINI, Bentley, Rolls-Royce, Maserati, FIAT, Jeep, Nissan, Mitsubishi, Suzuki, Infiniti, Hyundai, Kia, BYD, GEELY, CHERY, etc.



## LAC05-03

Corner Reflector

### CALIBRATION SYSTEMS:

ACC (Adaptive Cruise Control)

BSD (Blind Spot Detection)

### VEHICLE COVERAGE:

Toyota, Lexus, Honda, Acura, Mazda, Subaru, Mitsubishi, etc.



## MAKE SMART ADAS CALIBRATION EVEN SMARTER

### VIEWPOINTS



### ALL VIEWS OF EACH ANGLE

The design sketch images are for reference purposes only. The actual product details may vary, according to the physical goods upon shipment.





## FOLDABLE DESIGN

Supports beam folding for pressure-free storage, tailored for workshops with space constraints, ensuring portability and convenience without compromising on functionality.





## FEATURES

- **Minimist & Detachable Laser**

A single person can operate the tool to complete calibration workflows.

- **Multiple ADAS Systems Calibrations**

Supports LDW/ACC/AVM/NVS/BSD/RCW...

- **Wide Vehicle Coverage**

Supports more than 95% of the models with ADAS systems globally.

- **Step-By-Step Operating Instructions**

The ADAS service software in an X-431 diagnostic tool offers step-by-step calibration guidance.

- **Device Elevation**

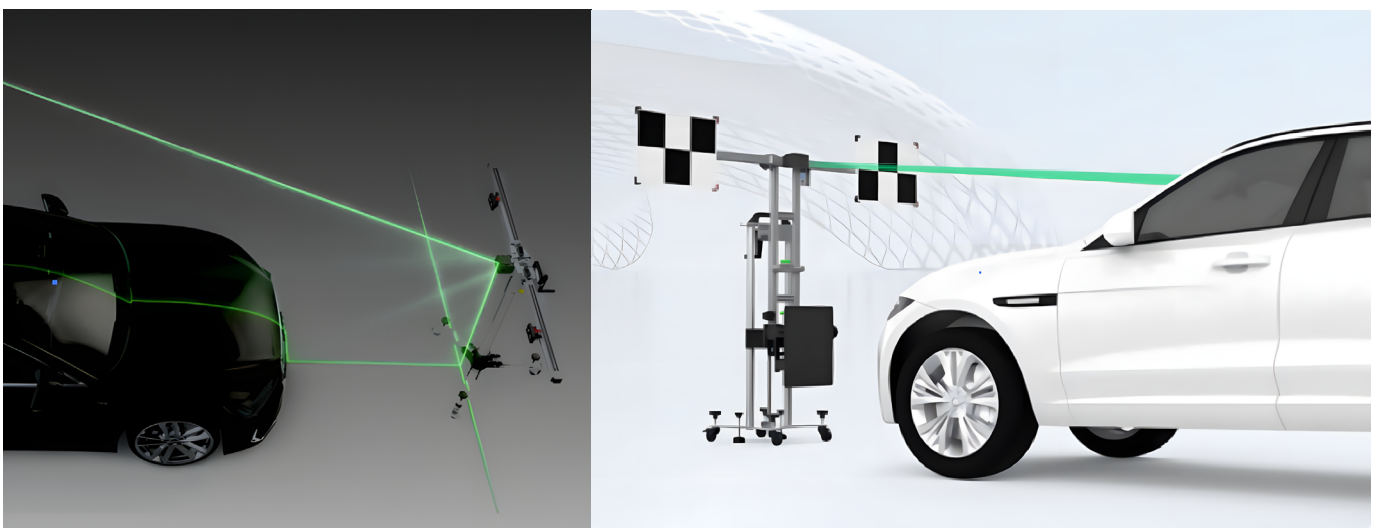
Supports manual elevation adjustments using a laser rangefinder for precise height positioning.

- **Parallel Alignment**

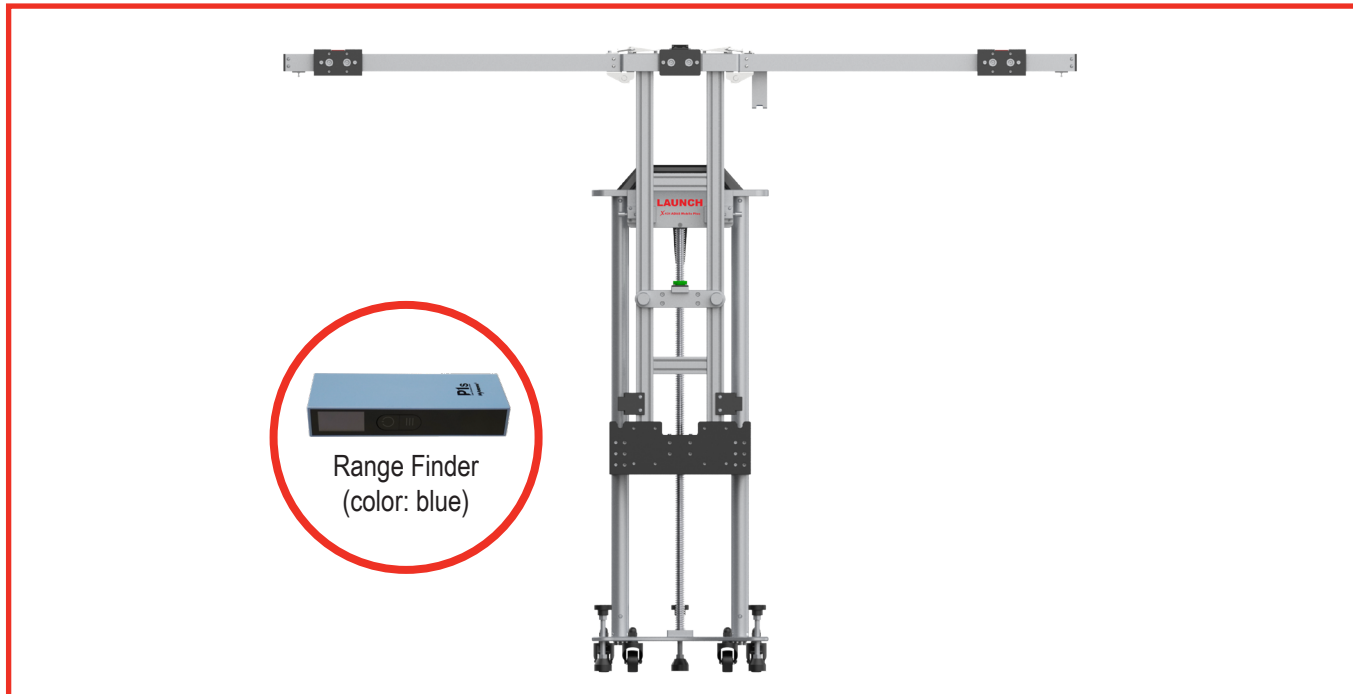
Achieve device parallel alignment auxiliary accessories like alignment assist lines.

- **Level Adjustment**

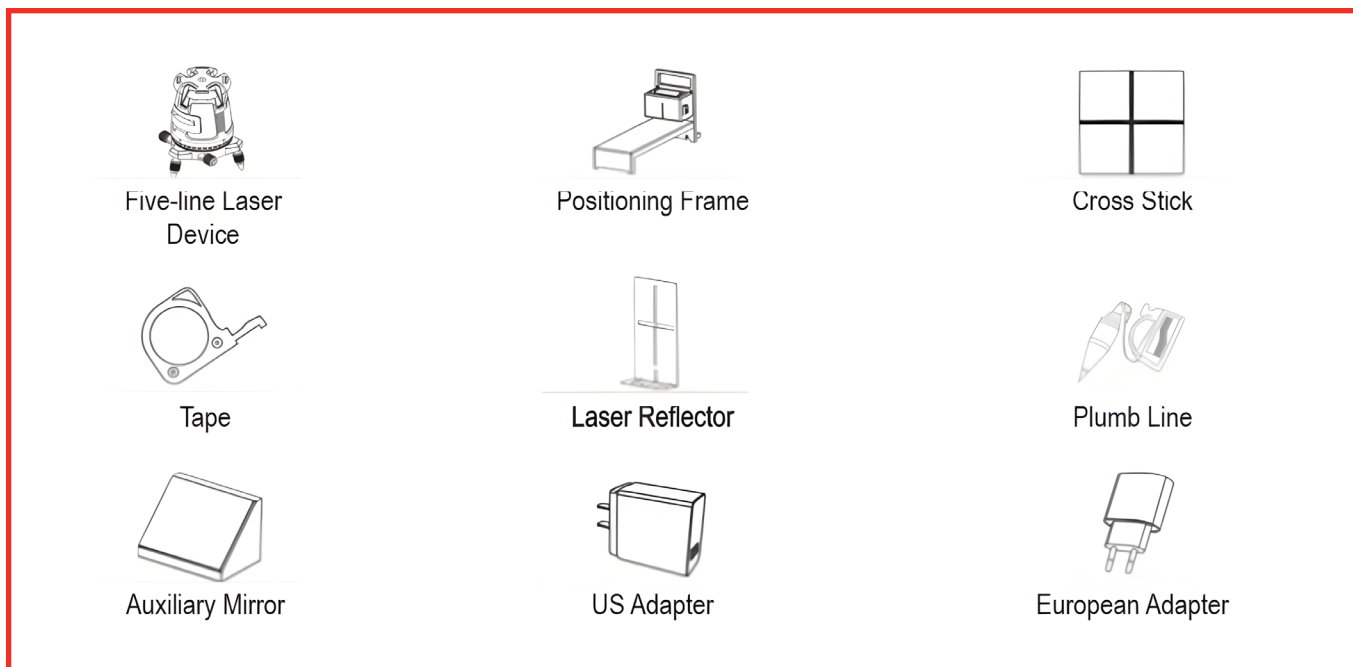
Observe the bubble level, adjust the base knob, and achieve device leveling.



## MAIN UNIT



## ACCESSORIES

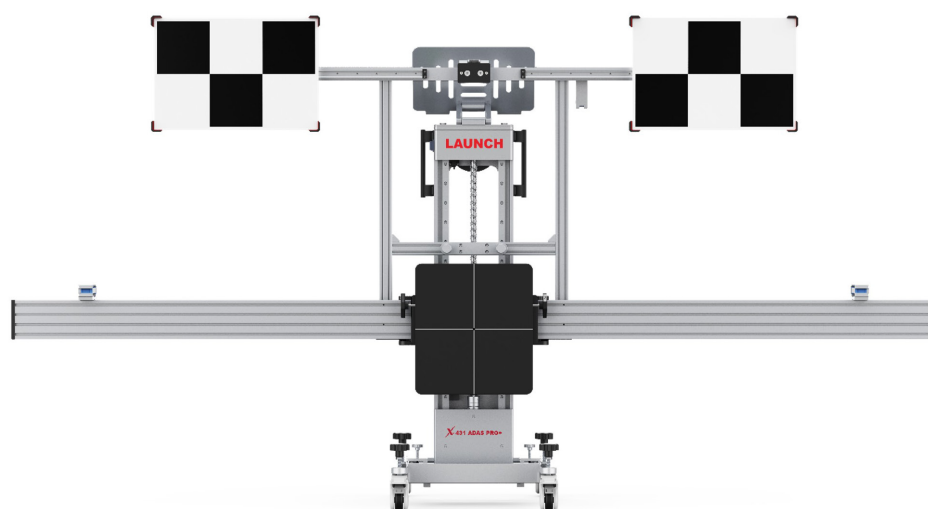


**X-431 ADAS MOBILE PLUS BASIC CONFIGURATION = MAIN UNIT + ACCESSORIES**



## MAKE SMART ADAS CALIBRATION EVEN SMARTER

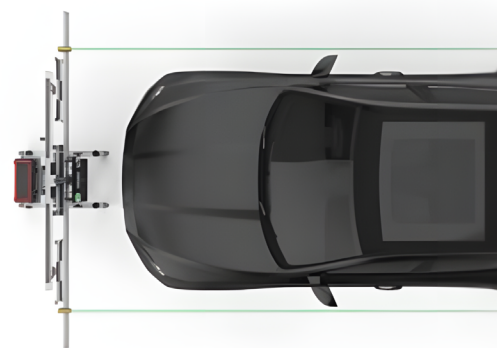
### VIEWPOINTS



**ULTRA-HIGH PRECISION**



**FAST POSITIONING**



**EASY TO USE**

## **FEATURES**

- **Minimlist & Detachable Laser**

Including level, front and back, right and left adjustment. No need to move the device tediously, centering and paralleling in 1 minute.

- **2 Ways Adjustable**

The beam supports electric lifting and manual adjustment for fast and portable operation.

- **Laser Finder**

Use millimeter precision laser range finder to measure distance without a tape measure.

- **Wide Vehicle Coverage**

Supports more than 95% of the models with ADAS systems globally.

- **Step-by-step Operating Insructions**

The ADAS service software in an X-431 diagnostic tool offers step-by-step calibration guidance.



## THE VEHICLE COVERAGE LIST IS CONTINUOUSLY GETTING UPDATED

### VEHICLE COVERAGE FOR EUROPEAN BRANDS

Mercedes-Benz, BMW, Audi, Volkswagen, Land Rover, Jaguar, Volvo, Fiat, Opel, Seat, Skoda, Renault, Citroen, Smart, Mini, Peugeot, Porsche, Romeo, etc.

### VEHICLE COVERAGE FOR ASIAN BRANDS

Kia, Hyundai, Toyota, Lexus, Honda, Acura, Nissan, Infiniti, Mitsubishi, Subaru, Suzuki, Daihatsu, Mazda, JAC, SGMW, Baic, BYD, Haval, Chery, Lynk&Co, etc.

### VEHICLE COVERAGE FOR AMERICAN BRANDS

Tesla, GM, Ford, Chrysler, Buick, Cadillac, Chevrolet, Dodge, Jeep, Lincoln, etc.

**THIS SPACE IS RESERVED FOR APPLICABLE SCAN TOOLS**



## SUPPORTED ADAS SYSTEMS

NOT LIMITED FOR TARGETS MENTIONED HERE.  
MOST OF THE ADAS SYSTEMS CALIBRATIONS ARE SUPPORTED.



LDW



BSD



AVM



RCW



ACC



NVS



TSR



PPS



LKA



FCW



APA



AFS



AEB

### FULL NAMES OF SOME ADAS SYSTEMS

- **LDW**  
Lane Departure Warning System
- **ACC**  
Adaptive Cruise Control
- **BSD**  
Blind Spot Detection
- **RCW**  
Rear Collision Warning
- **NV**  
Night Vision System
- **AVM**  
Around View Monitor System
- **LKA**  
Lane Keeping Assist System
- **AFS**  
Adaptive Front-Lighting System
- **APA**  
Advanced Parking Assist
- **AEB**  
Autonomous Emergency Braking
- **FCW**  
Forward Collision Warning
- **TSR**  
Traffic Sign Recognition
- **PPS**  
Pedestrian Protection System



## **X-431 ADAS MOBILE PLUS**

### **BASIC CONFIGURATION**

Main Unit + Accessories



### **STANDARD CONFIGURATION**

Main Unit + Accessories + X-431 LDW Targets



Standard configuration = Basic configuration + X-431 LDW Targets  
The LDW Target Kit includes [VW LDW Target LAM01-02](#)

### **DELUXE CONFIGURATION**

Main Unit + Accessories + X-431 LDW Targets  
+ Radar Targets (ACC/Corner Reflector/Doppler Simulator/BSM Protractor)



Deluxe configuration = Standard configuration + Radar Targets

### **PREMIUM CONFIGURATION**

Main Unit + Accessories + X-431 LDW Targets  
+ Radar Targets (ACC/Corner Reflector/Doppler Simulator/BSM Protractor)  
+ RCW&AVM Targets



Premium configuration = Deluxe configuration + RCW&AVM Targets

**FOUR CONFIGURATIONS ARE AVAILABLE FOR YOUR CHOICE.**

## X-431 ADAS PRO PLUS

### BASIC CONFIGURATION

Main Unit + Accessories



### STANDARD CONFIGURATION

Main Unit + Accessories + X-431 LDW Targets



Standard configuration = Basic configuration + X-431 LDW Targets  
The LDW Target Kit includes [VW LDW Target LAM01-02](#)

### DELUXE CONFIGURATION

Main Unit + Accessories + X-431 LDW Targets  
+ Radar Targets (ACC/Corner Reflector/Doppler Simulator/BSM Protractor)



Deluxe configuration = Standard configuration + Radar Targets

### PREMIUM CONFIGURATION

Main Unit + Accessories + X-431 LDW Targets  
+ Radar Targets (ACC/Corner Reflector/Doppler Simulator/BSM Protractor)  
+ RCW&AVM Targets



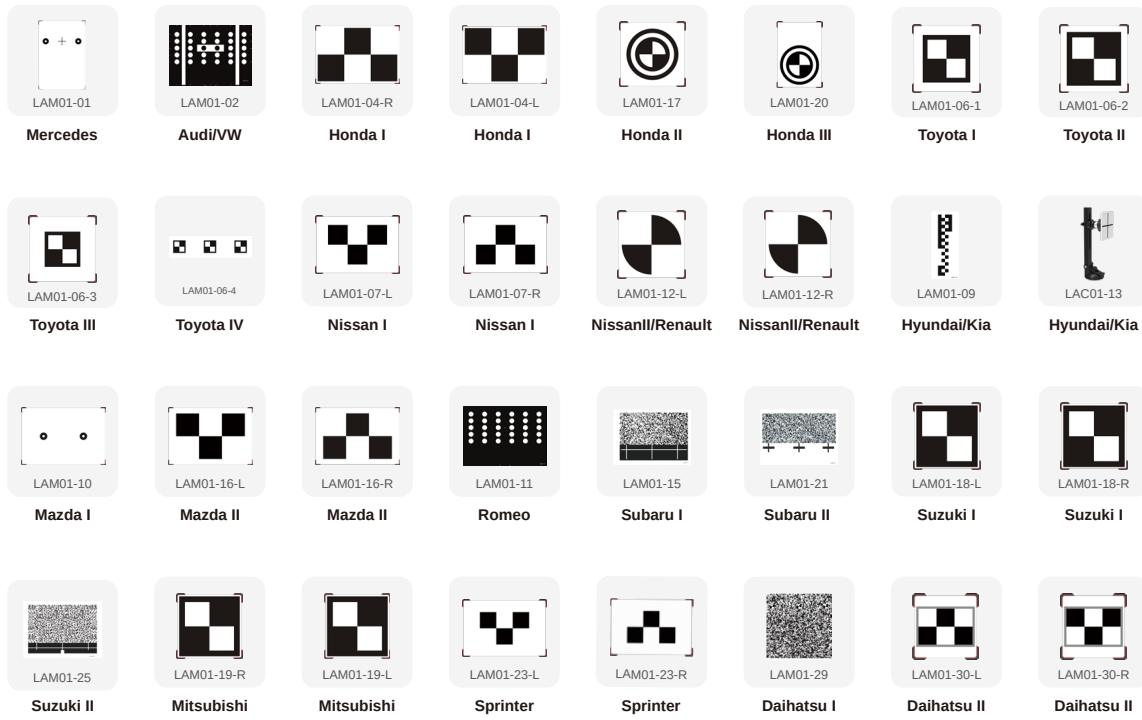
Premium configuration = Deluxe configuration + RCW&AVM Targets

**FOUR CONFIGURATIONS ARE AVAILABLE FOR YOUR CHOICE.**

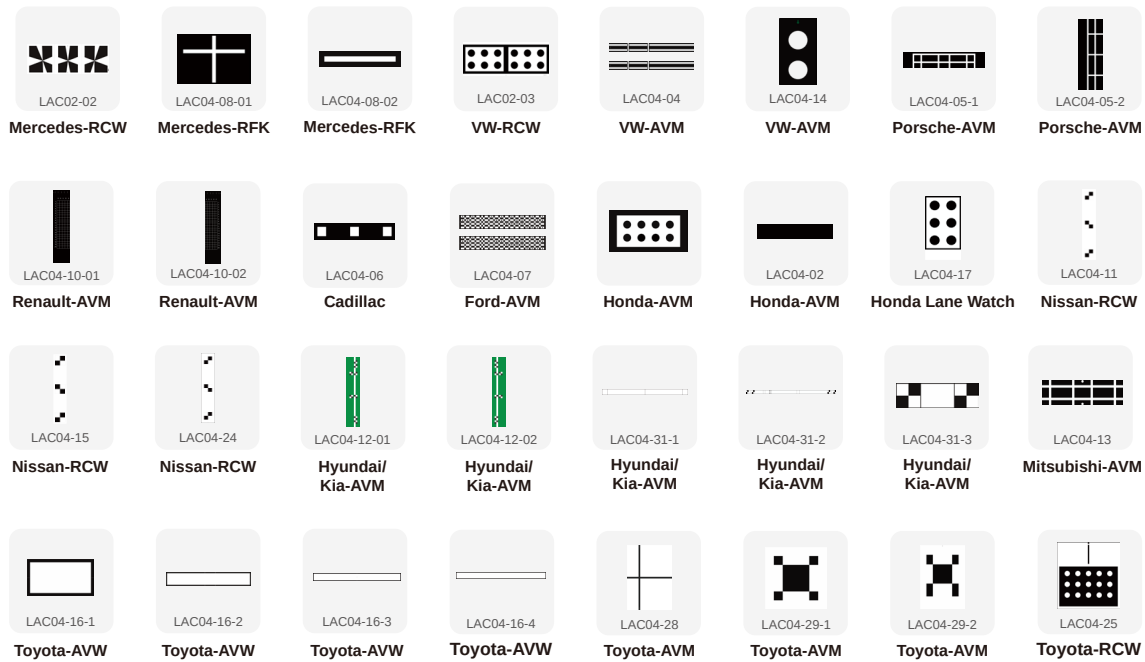
# TARGETS



## LDW Targets



## RCW&AVM Targets



**TARGETS FOR REFERENCE ONLY** Please confirm when ordering.

## Radar Targets



LAM05-02

ACC Reflector



LAC05-03

Corner Reflector

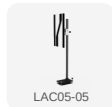


LAC05-04

Doppler Simulator



BSM Protractor



LAC05-05

Nissan ICC Radar Target (Optional)



LAC05-06

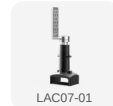
Audi Lidar Target (Optional)



LAC05-07

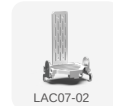
Toyota Laser Reflector (Optional)

## Radar Level Alignment Tool



LAC07-01

Used for BOSCH LRR3&4 Radar



LAC07-02

Used for BOSCH MRR Radar



LAC07-03

Used for TOYOTA SONAR Radar



LAC01-13

Digital Angle Protractor

## NV Targets



LAC06-01

Audi/GM/VW



LAC06-02

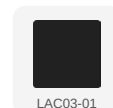
Mercedes



LAC06-03

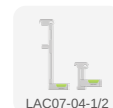
Lexus

## Parts



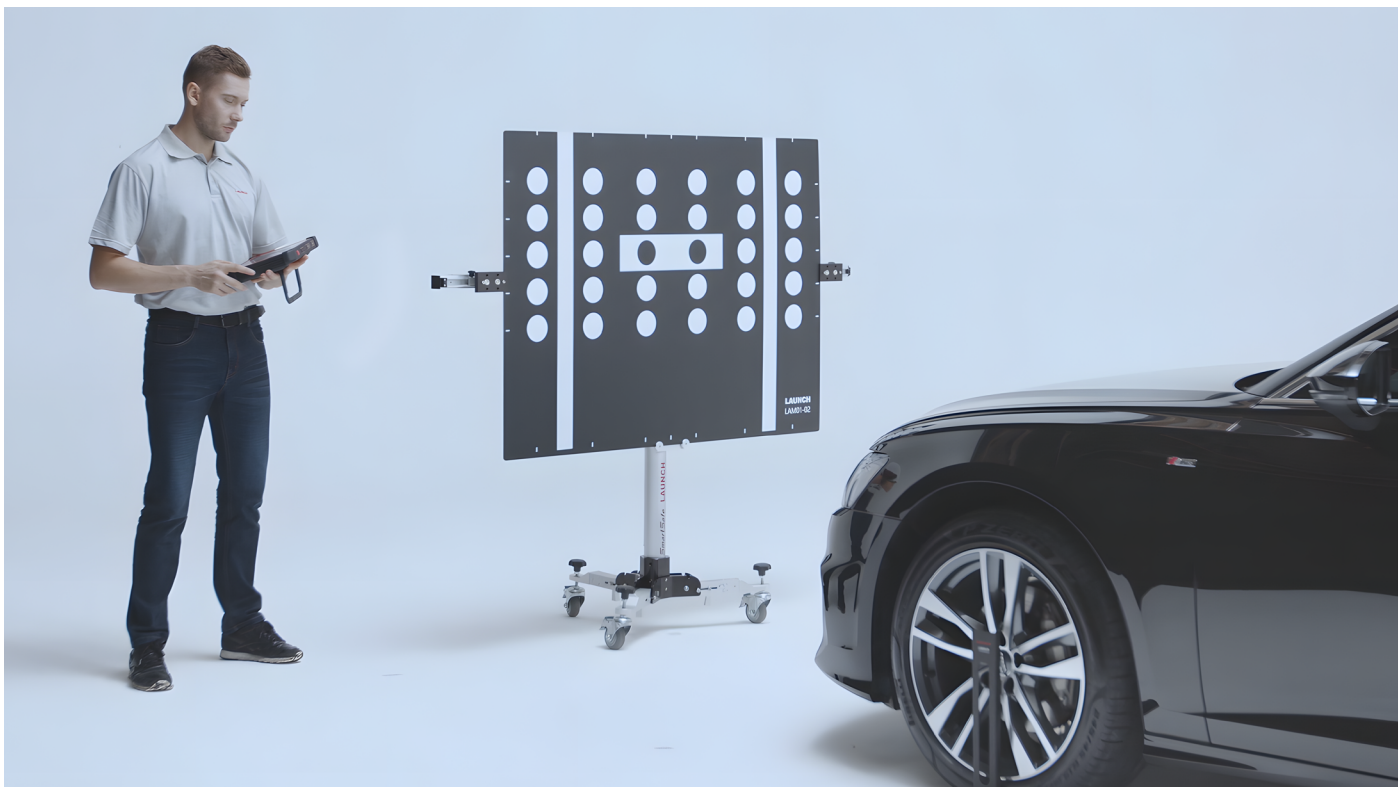
LAC03-01

Chrysler SmartBeam Camera Calibration Tool



LAC07-04-1/2

Volvo Camera & Radar Adjustment Tool



**TARGETS FOR REFERENCE ONLY** Please confirm when ordering.





The final interpretation right of this document belongs to LAUNCH TECH USA, INC.

Follow Us     

 1-877-528-6249

 [www.launchtechusa.com](http://www.launchtechusa.com)

 [sales@launchtechusa.com](mailto:sales@launchtechusa.com)