

**Copyright Information**

Copyright © 2022 by LAUNCH TECH. CO., LTD. All rights reserved. No part of this publication may be reproduced, stored in a retrieval system, or transmitted in any form or by any means, electronic, mechanical, photocopying, recording or otherwise, without the prior written permission of LAUNCH.

**Disclaimer of Warranties and Limitation of Liabilities**

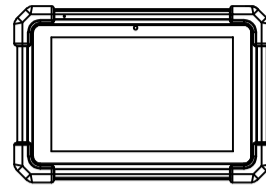
All information, specifications and illustrations in this publication are based on the latest information available at the time of printing. Due to continuing improvements, actual product may differ slightly from the product described herein and LAUNCH reserves the right to make changes at any time without prior notice.

**Safety Instructions**

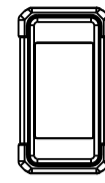
- Before using this test equipment, please read the following safety information carefully.
- Always perform automotive testing in a safe environment.
  - Wear an ANSI-approved eye shield when testing or repairing vehicles.
  - The vehicle shall be tested in a well-ventilated work area, as engines produce various poisonous compounds (hydrocarbon, carbon monoxide, nitrogen oxides, etc.)
  - Do not connect or disconnect any test equipment while the ignition is on or the engine is running.
  - Put blocks in front of the drive wheels and never leave the vehicle unattended while testing.
  - Do not drive the vehicle and operate the test equipment at the same time. Any distraction may cause an accident.
  - Keep clothing, hair, hands, tools, test equipment, etc. away from all moving or hot engine parts.
  - Keep a fire extinguisher suitable for chemical, gasoline and electrical fires nearby.
  - Before starting the engine, put the gear lever in NEUTRAL (for manual transmission) or PARK (for automatic transmission) to avoid injury.
  - To avoid damaging the test equipment or generating false data, please make sure the vehicle battery is fully charged and the connection to the vehicle DLC (Data Link Connector) is clear and secure.
  - Automotive batteries contain sulfuric acid that is harmful to skin. In operation, direct contact with the automotive batteries should be avoided. Keep the ignition sources away from the battery at all times.
  - CAUTION: Please use the included power adapter to charge your tool. No responsibility can be assumed for any damage or loss caused as a result of using power adapters other than the one supplied.
  - DANGER: Do not attempt to replace the internal rechargeable lithium battery. Risk of explosion if the battery is replaced with an incorrect type. Contact the dealer for factory replacement.
  - The tool is a sealed unit. There are no end-user serviceable parts inside. All internal repairs must be done by an authorized repair facility or qualified technician. For any inquiry, please contact the dealer.

**Accessory Checklist**

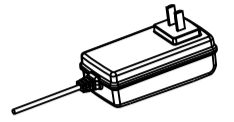
The following accessory items and pictures are only for reference. Please consult from the local agency or check the package list supplied with the tool together.



**Display Tablet**  
A tablet for showing test results.



**Vehicle Communication Interface (VCI) Vehicle**  
A device for accessing vehicle data.



**Power Adapter**  
To supply power to the tablet through connection to AC outlet.



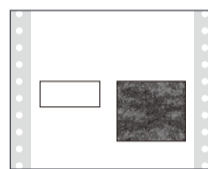
**Type A to Type B Data Cable**  
To connect the VCI device to the tablet to perform vehicle diagnosis.



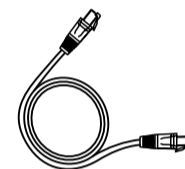
**Type A to Type C Data Cable**  
To connect the tablet to PC to exchange data.



**VCI Diagnostic Cable**  
To connect the VCI device to vehicle's DLC.



**Private & Confidential Sheet**  
A piece of paper bearing Product S/N and Verification Code, which is required for your VCI activation.



**Adapter Cable Kit (Optional)**  
Reserved for future use.

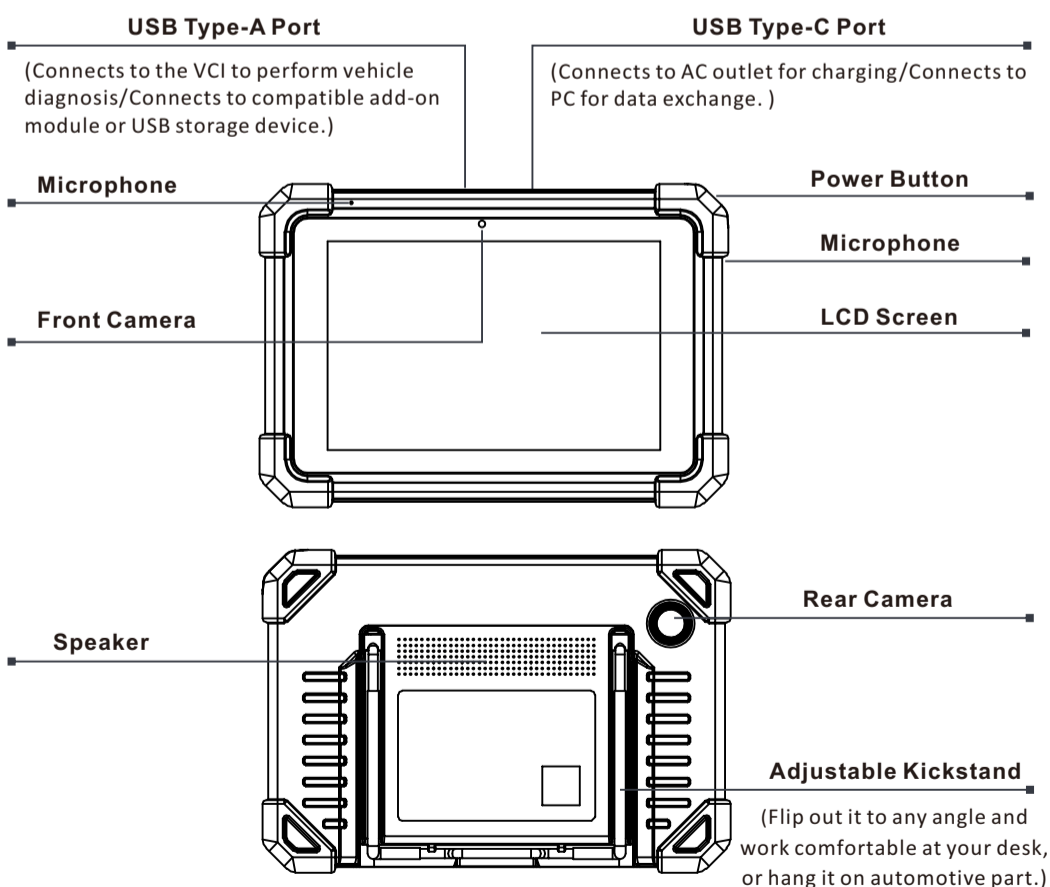
**Adapter Cable Kit (Optional)**  
(For detailed adapter cables, please check the package box.)

**X-431 Torque Series**

**Quick Start Guide**

**Display Tablet**

The display tablet acts as the central processing system, which is used to receive and analyze the live vehicle data from the VCI and then output the test result.

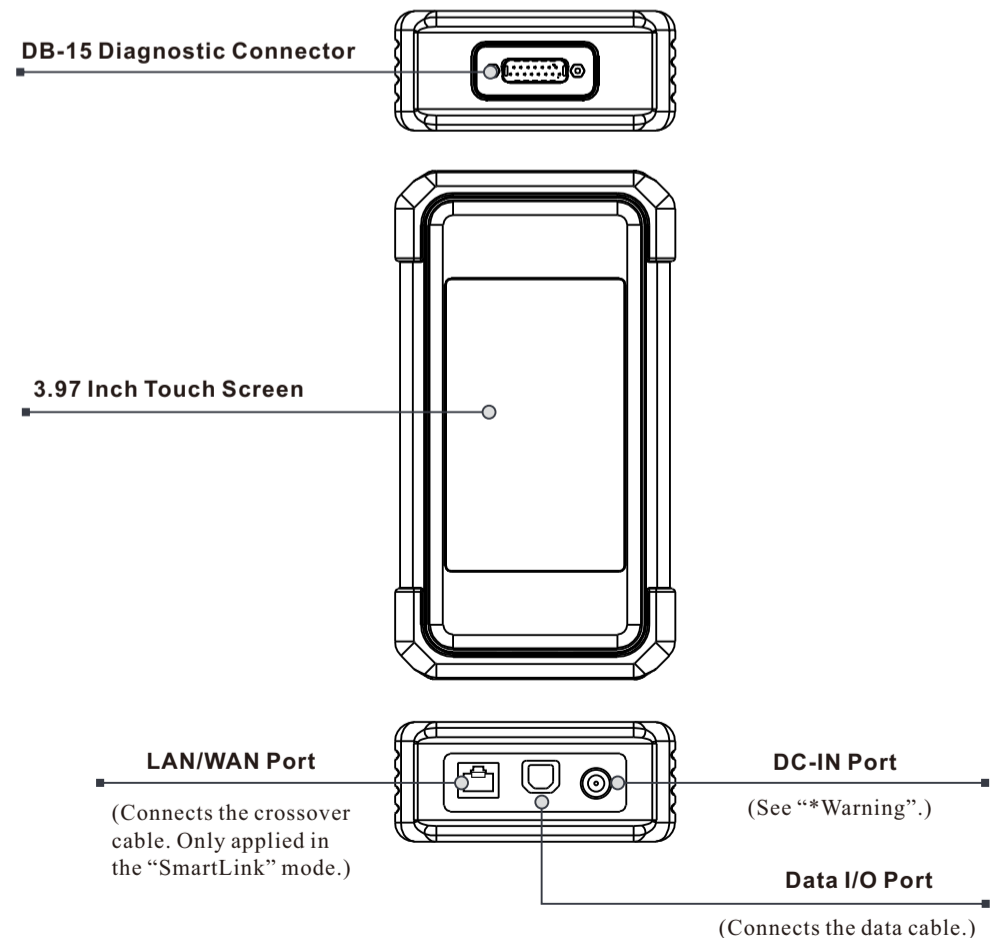


**Notes:**

- If the battery remains unused for a long period of time or the battery is completely discharged, it is normal that the tool will not power on while being charged. Please charge it for a period of 5 minutes and then turn it on.  
For details on how to charge, refer to Section 1 "Charging & Turning On".
- Please use the included power adapter to charge your tool. No responsibility can be assumed for any damage or loss caused as a result of using power adapters other than the one supplied.

**VCI (Vehicle Communication Interface)**

The SmartLink C dongle can work as a VCI (Vehicle Communication Interface) device. It is used to read the vehicle data and then send it to the tablet via wireless (BT) communication or data cable connection.



**\*Warning: The SmartLink C V2.0 dongle obtains power through the vehicle's DLC via the DB-15 diagnostic connector. Do NOT connect the DC-IN port to an external DC power supply when the SmartLink C V2.0 dongle is properly connected to the vehicle. No responsibility can be assumed for any damage or loss caused as a result of not strictly following the above method.**

## 1. Charging & Turning On

1. Plug one end of the included power adapter into the charging port of the tablet, and then other end into the AC outlet.
2. Once the battery is fully charged, disconnect the power adapter from the AC outlet.
3. Press the [POWER] button on the tablet, the system starts initializing and then enters the home screen.

## 2. Changing Language

The tablet supports multiple languages. To change the language of the tool, please do the following:

1. On the home screen, tap on **Settings -> System -> Language & input -> Languages**.
2. Tap on **Add a language**, and then choose the desired language from the list.
3. Tap and hold the desired language and drag it to the top of the screen and then release it, the system will change into the target language.

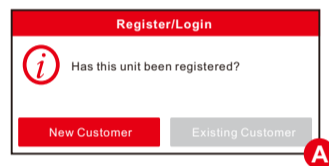
## 3. Wi-Fi Setup

The tablet has a built-in Wi-Fi module that can be used to get online. Once you're online, you can register your tool, update the diagnostic software & APK, surf the Internet and send email on your network.

1. On the home screen, select **Settings -> Network & Internet -> WLAN**.
2. Select the Wi-Fi switch to ON, the tablet will start searching for available wireless networks.
3. Select a wireless network:
  - If the chosen network is open, the tablet will connect automatically.
  - If the selected network is encrypted a network password will need to be entered.

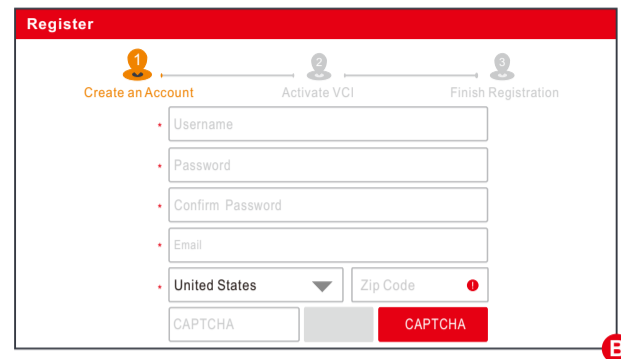
## 4. Register & Update

1. **Launch App:** On the home screen, tap the application icon to launch it, the following popup will appear on the screen.
  - A. **If you are a new user**, tap on **New Customer** in Fig. A to start your sign-up. Refer to Steps 2-4.
  - B. **If you have registered to be a member**, tap on **Existing Customer** to login the system directly.

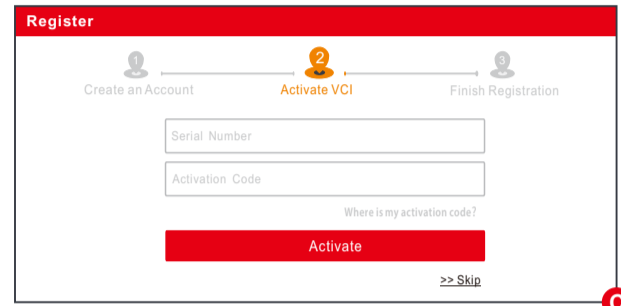


## 4. Register & Update(Cont.)

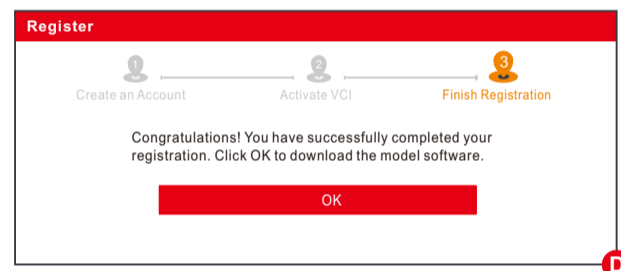
2. **Create an App Account:** Input the information (items with \* must be filled) and then tap on **Register**. Refer to Figure B.



3. **Activate VCI:** Input the Product S/N and Activation Code (can be obtained from the password envelope), and then tap on **Activate**. Refer to Figure C.



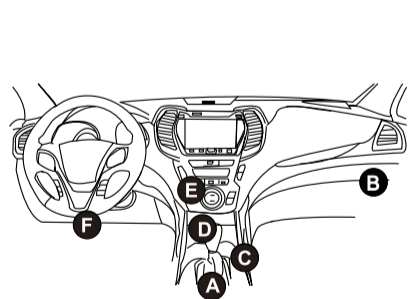
4. **Finish Registration:** To download the diagnostic software, tap on **OK** to navigate to the download page. On the download page, tap on **Update** to start downloading until it is complete.



## 5. Connection

1. Make sure that the ignition is turned off and the vehicle battery voltage range is 11-14Volts or 18-30Volts.
2. Find the vehicle's DLC(Data Link Connector) port.

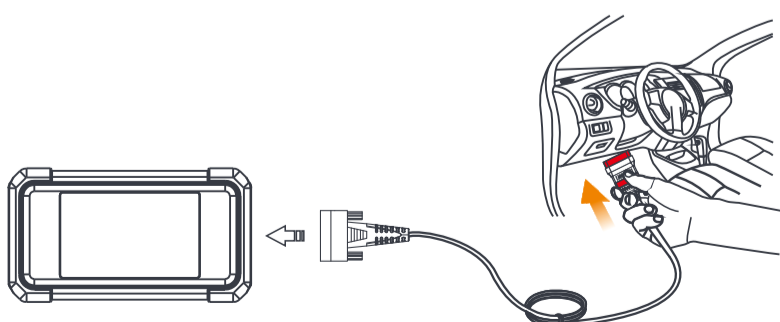
For passenger cars, the DLC is usually located 12 inches away from the center of the instrument panel, under or around the driver's side for most vehicles. For some vehicles with special designs, the DLC may vary. Refer to the following figure for possible DLC location.



- A. Opel, Volkswagen, Audi
- B. Honda
- C. Volkswagen
- D. Opel, Volkswagen, Citroen
- E. Changan
- F. Hyundai, Daewoo, Kia, Honda, Toyota, Nissan, Mitsubishi, Renault, Opel, BMW, Mercedes-Benz, Mazda, Volkswagen, Audi, GM, Chrysler, Peugeot, Regal, Beijing Jeep, Citroen and most prevailing models

For commercial vehicles, the DLC is usually located in driver's cab. If the DLC cannot be found, refer to the vehicle's service manual for the location.

3. For vehicles equipped with OBD II diagnostic socket, connect the VCI device to the vehicle's DLC via the included diagnostic cable.



4. The ignition is turned on. Now it is ready for diagnosis.

**Note:** For non-OBD II vehicles, a non-16pin adapter cable (optional) is required. Refer to the User Manual for more detailed connection method.

## 6. Start Diagnostics

This tool supports three kinds of diagnosis approaches: Smart Diagnosis, Manual Diagnosis and Tech to Tech Remote Diagnosis.

### Smart Diagnosis(AutoDetect):

Through simple wireless communication between the tablet and VCI, the system will guide you directly to the fix and help you eliminate guesswork, without step-by-step manual menu selection.

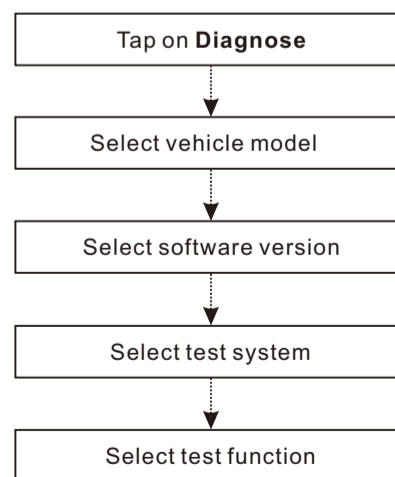
### Manual Diagnosis:

You need to manually select the menu-driven command.

### Tech to Tech:

This helps repair shops or mechanics to diagnose a remote vehicle, and launch instant messages, allowing for improved efficiency and faster repairs.

For new users, the Manual Diagnosis is recommended as follows:.




**Note:** To enjoy more capabilities and functions, you are suggested to check for updates on a frequent basis and keep synchronized with the latest available software. For more detailed operations, please refer to the [User Manual](#).

**THANK YOU FOR CHOOSING LAUNCH!**

If you have any questions or comments please forward them to:

**LAUNCH Tech USA Product Support**  
 Phone: 877-528-6249 xt: 4  
 Fax: 562-463-1590  
 1820 S. Milliken Ave. Ontario, CA 91761  
 Monday - Friday 5 am - 5 pm PST

**Service & Repair**  
 Phone: 877-528-6249 xt: 5  
 Monday - Friday 8 am - 5 pm PST  
 Please visit our public form @  
<http://launch.activeboard.com>



Important Safety Instruction

**Copyright Information**  
Copyright © 2022 by LAUNCH TECH. CO., LTD. All rights reserved. No part of this publication may be reproduced, stored in a retrieval system, or transmitted in any form or by any means, electronic, mechanical, photocopying, recording or otherwise, without the prior written permission of LAUNCH.

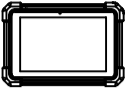








**Disclaimer of Warranties and Limitation of Liabilities**  
All information, specifications and illustrations in this publication are based on the latest information available at the time of printing. Due to continuing improvements, actual product may differ slightly from the product described herein and LAUNCH reserves the right to make changes at any time without prior notice.


**Safety Instructions**  
Before using this test equipment, please read the following safety information carefully.

- Always perform automotive testing in a safe environment.
- Wear an ANSI-approved eye shield when testing or repairing vehicles.
- The vehicle shall be tested in a well-ventilated work area, as engines produce various poisonous compounds (hydrocarbon, carbon monoxide, nitrogen oxides, etc.)
- Do not connect or disconnect any test equipment while the ignition is on or the engine is running.
- Put blocks in front of the drive wheels and never leave the vehicle unattended while testing.
- Do not drive the vehicle and operate the test equipment at the same time. Any distraction may cause an accident.
- Keep clothing, hair, hands, tools, test equipment, etc. away from all moving or hot engine parts.
- Keep a fire extinguisher suitable for chemical, gasoline and electrical fires nearby.
- Before starting the engine, put the gear lever in NEUTRAL (for manual transmission) or PARK (for automatic transmission) to avoid injury.
- To avoid damaging the test equipment or generating false data, please make sure the vehicle battery is fully charged and the connection to the vehicle DLC (Data Link Connector) is clear and secure.
- Automotive batteries contain sulfuric acid that is harmful to skin. In operation, direct contact with the automotive batteries should be avoided. Keep the ignition sources away from the battery at all times.
- CAUTION:** Please use the included power adapter to charge your tool. No responsibility can be assumed for any damage or loss caused as a result of using power adapters other than the one supplied.
- DANGER:** Do not attempt to replace the internal rechargeable lithium battery. Risk of explosion if the battery is replaced with an incorrect type. Contact the dealer for factory replacement.
- The tool is a sealed unit. There are no end-user serviceable parts inside. All internal repairs must be done by an authorized repair facility or qualified technician. For any inquiry, please contact the dealer.

Accessory Checklist

The following accessory items and pictures are only for reference. Please consult from the local agency or check the package list supplied with the tool together.

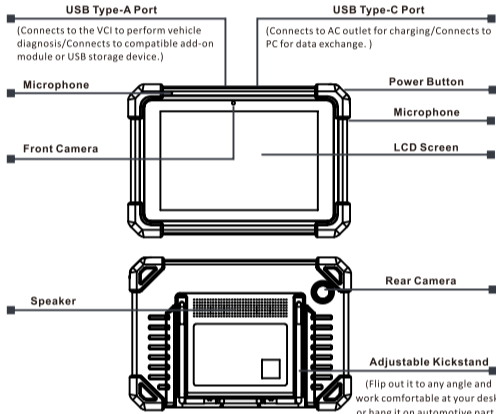
 <b>Display Tablet</b> A tablet for showing test results.	 <b>Vehicle Communication Interface (VCI) Vehicle</b> A device for accessing vehicle data.	 <b>Power Adapter</b> To supply power to the tablet through connection to AC outlet.
 <b>Type A to Type B Data Cable</b> To connect the VCI device to the tablet to perform vehicle diagnosis.	 <b>Type A to Type C Data Cable</b> To connect the tablet to PC to exchange data.	 <b>VCI Diagnostic Cable</b> To connect the VCI device to vehicle's DLC.
 <b>Private &amp; Confidential Sheet</b> A piece of paper bearing Product S/N and Verification Code, which is required for your VCI activation.	 <b>Crossover Cable (Optional)</b> Reserved for future use.	 <b>Adapter Cable Kit (Optional)</b> (For detailed adapter cables, please check the package box.)



X-431 Torque Series V2.0 Quick Start Guide

**Display Tablet**

The display tablet acts as the central processing system, which is used to receive and analyze the live vehicle data from the VCI and then output the test result.

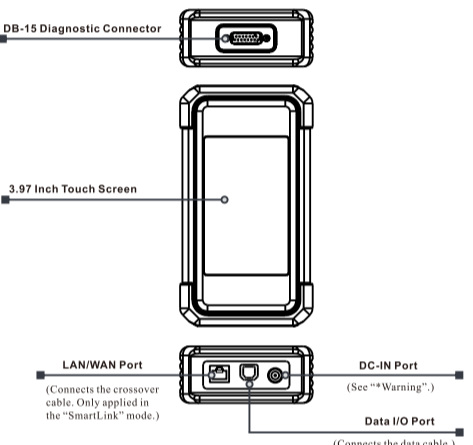


**Notes:**

- If the battery remains unused for a long period of time or the battery is completely discharged, it is normal that the tool will not power on while being charged. Please charge it for a period of 5 minutes and then turn it on.
- For details on how to charge, refer to Section 1 "Charging & Turning On".
- Please use the included power adapter to charge your tool. No responsibility can be assumed for any damage or loss caused as a result of using power adapters other than the one supplied.

**VCI (Vehicle Communication Interface)**

The SmartLink C dongle can work as a VCI (Vehicle Communication Interface) device. It is used to read the vehicle data and then send it to the tablet via wireless (BT) communication or data cable connection.




**\*Warning:** The SmartLink C V2.0 dongle obtains power through the vehicle's DLC via the DB-15 diagnostic connector. Do NOT connect the DC-IN port to an external DC power supply when the SmartLink C V2.0 dongle is properly connected to the vehicle. No responsibility can be assumed for any damage or loss caused as a result of not strictly following the above method.

制作要求:

纸张要求: 原始文档为A3大小 (297mm x 420mm), 按1:1输出

制作方式: 垂直对折, 对折后尺寸为 A4

印刷要求: 彩色, 80g内页纸



Important Safety Instruction

**Copyright Information**  
Copyright © 2022 by LAUNCH TECH. CO., LTD. All rights reserved. No part of this publication may be reproduced, stored in a retrieval system, or transmitted in any form or by any means, electronic, mechanical, photocopying, recording or otherwise, without the prior written permission of LAUNCH.










**Disclaimer of Warranties and Limitation of Liabilities**  
All information, specifications and illustrations in this publication are based on the latest information available at the time of printing. Due to continuing improvements, actual product may differ slightly from the product described herein and LAUNCH reserves the right to make changes at any time without prior notice.

**Safety Instructions**  
Before using this test equipment, please read the following safety information carefully.

- Always perform automotive testing in a safe environment.
- Wear an ANSI-approved eye shield when testing or repairing vehicles.
- The vehicle shall be tested in a well-ventilated work area, as engines produce various poisonous compounds (hydrocarbon, carbon monoxide, nitrogen oxides, etc.)
- Do not connect or disconnect any test equipment while the ignition is on or the engine is running.
- Put blocks in front of the drive wheels and never leave the vehicle unattended while testing.
- Do not drive the vehicle and operate the test equipment at the same time. Any distraction may cause an accident.
- Keep clothing, hair, hands, tools, test equipment, etc. away from all moving or hot engine parts.
- Keep a fire extinguisher suitable for chemical, gasoline and electrical fires nearby.
- Before starting the engine, put the gear lever in NEUTRAL (for manual transmission) or PARK (for automatic transmission) to avoid injury.
- To avoid damaging the test equipment or generating false data, please make sure the vehicle battery is fully charged and the connection to the vehicle DLC (Data Link Connector) is clear and secure.
- Automotive batteries contain sulfuric acid that is harmful to skin. In operation, direct contact with the automotive batteries should be avoided. Keep the ignition sources away from the battery at all times.
- CAUTION:** Please use the included power adapter to charge your tool. No responsibility can be assumed for any damage or loss caused as a result of using power adapters other than the one supplied.
- DANGER:** Do not attempt to replace the internal rechargeable lithium battery. Risk of explosion if the battery is replaced with an incorrect type. Contact the dealer for factory replacement.
- The tool is a sealed unit. There are no end-user serviceable parts inside. All internal repairs must be done by an authorized repair facility or qualified technician. For any inquiry, please contact the dealer.

Accessory Checklist

The following accessory items and pictures are only for reference. Please consult from the local agency or check the package list supplied with the tool together.

 <b>Display Tablet</b> A tablet for showing test results.	 <b>Vehicle Communication Interface (VCI) Vehicle</b> A device for accessing vehicle data.	 <b>Power Adapter</b> To supply power to the tablet through connection to AC outlet.
 <b>Type A to Type B Data Cable</b> To connect the VCI device to the tablet to perform vehicle diagnosis.	 <b>Type A to Type C Data Cable</b> To connect the tablet to PC to exchange data.	 <b>VCI Diagnostic Cable</b> To connect the VCI device to vehicle's DLC.
 <b>Private &amp; Confidential Sheet</b> A piece of paper bearing Product S/N and Verification Code, which is required for your VCI activation.	 <b>Crossover Cable (Optional)</b> Reserved for future use.	 <b>Adapter Cable Kit (Optional)</b> (For detailed adapter cables, please check the package box.)

首页